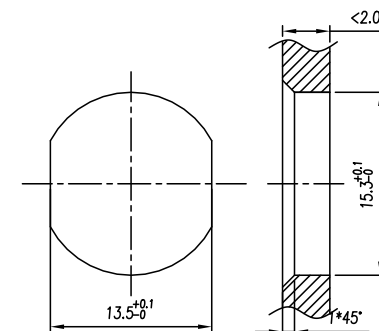


REVISION RECORD				
REV.	DESCRIPTION	ECN No.	APPROVED	DATE

IEC 技术参数 IEC Technical Data		IEC61076-2-101		
工作温度 Operating temperatur [°C]	-25~+80			
防护等级 IP Class (IN Locked condition)	IP67			
额定电压 Rated Voltage [V]				
额定电流 Rated Current [A]				
导线截面积 Conductor cross section 硬质/柔性导线 Solid/ flexible [mm ²]				
接线范围 Wire Range 单/多芯线 Solid/Stranded [AWG]				
材料 Material				
绝缘材料 Insulation Material	PA 66			
阻燃等级 Imflammability	UL94V-0			
导体材料 Contactor Material	铜合金 Copper alloy			
导体镀层 Contactive Coating	镀金 Gold Plated			
螺母/螺丝 Connector Nut/Screw	Brass With Nickel Plated 铜镀镍			
符合RoHS环保要求				

Contacts Pin 数	3Pin	4Pin	5Pin	8Pin	12Pin	17Pin
A-Coding						
Rated Current 额定电流	4A	4A	4A	2A	1.5A	1.5A
Rated Voltage 额定电压	250V	250V	60V	30V	30V	30V
Wire Range 线范围	22AWG	22AWG	22AWG	24AWG	26AWG	26AWG
PART NO. 品名:	M12-A03P-ST0-F02-BH2-050	M12-A04P-ST0-F02-BH2-050	M12-A05P-ST0-F02-BH2-050	M12-A08P-ST0-F02-BH2-050	M12-A12P-ST0-F02-BH2-050	M12-A17P-ST0-F02-BH2-050



Panel cut-out

H	WIRE	WIRE: UL 1061 L=508m	pcs	X	
G	NUT	NUT PG9, Brass With Nickel Plated	pcs	1	
F	O-Ring	O-Ring FKM Green	pcs	1	
E	Resin	Black epoxy resin for sealing	g	2	
D	O-Ring	O-Ring FKM Black	pcs	1	
C	Housing	A-Coding Female, Black PA66	pcs	1	
B	Terminal	Female Terminal, Brass With Gold Plated	pcs	X	
A	Screw	Screw M12 X1.0, Brass With Nickel Plated	pcs	1	
编号 No.	料号 Materials No.	品名 Name	材料规格 Description	单位 Unit	用量 Qty

		慈溪市万捷电子有限公司 CIXI WANJIE ELECTRONIC CO., LTD				PART NO.: M12-AXXP-ST0-F02-BH2-050			
		NO SPECIFIED TOLERANCE	Cus' P/N:	Order No:	---	Drawing No.:	SP-02-M00XXX		
LINEAR	0.5-6	±0.1	DES.	JUN	DATE	UNITS	mm	THIRD ANGLE PROJECTION	
	6-30	±0.2						CHK.	DATE
	>30	±2%	APP.	DATE	SCALE	X:X	文件等级: 外部公开		

REVISION RECORD

REV.	DESCRIPTION	ECN No.	APPROVED	DATE

3Pin

P1	Wirelist
1	_____ brown _____
3	_____ blue _____
4	_____ black _____

4Pin

P1	Wirelist
1	_____ brown _____
2	_____ white _____
3	_____ blue _____
4	_____ black _____

5Pin

P1	Wirelist
1	_____ brown _____
2	_____ white _____
3	_____ blue _____
4	_____ black _____
5	_____ grey _____

17Pin

P1	Wirelist
1	_____ brown _____
2	_____ blue _____
3	_____ white _____
4	_____ green _____
5	_____ pink _____
6	_____ yellow _____
7	_____ black _____
8	_____ grey _____
9	_____ red _____
10	_____ violet _____
11	_____ grey/pink _____
12	_____ red/blue _____
13	_____ white/green _____
14	_____ brown/green _____
15	_____ white/yellow _____
16	_____ yellow/brown _____
17	_____ white/grey _____

12Pin

P1	Wirelist
1	_____ brown _____
2	_____ blue _____
3	_____ white _____
4	_____ green _____
5	_____ pink _____
6	_____ yellow _____
7	_____ black _____
8	_____ grey _____
9	_____ red _____
10	_____ violet _____
11	_____ grey/pink _____
12	_____ red/blue _____

8Pin

P1	Wirelist
1	_____ white _____
2	_____ brown _____
3	_____ green _____
4	_____ yellow _____
5	_____ grey _____
6	_____ pink _____
7	_____ blue _____
8	_____ red _____

 慈溪市万捷电子有限公司 CIXI WANJIE ELECTRONIC CO., LTD		PART NO.: M12-AXXP-ST0-F02-BH2-050	
NO SPECIFIED TOLERANCE		Cus' P/N:	Order No: ---
LINEAR	0.5~6 ±0.1	DES.	Jun
	6~30 ±0.2	CHK.	DATE
	>30 ±2%	APP.	DATE
ANGLES	±1°	SCALE	X:X
Drawing No.: SP-02-M000XX		THIRD ANGLE PROJECTION	
		PAGE 2 of 2	
文件等级: 外部公开			