

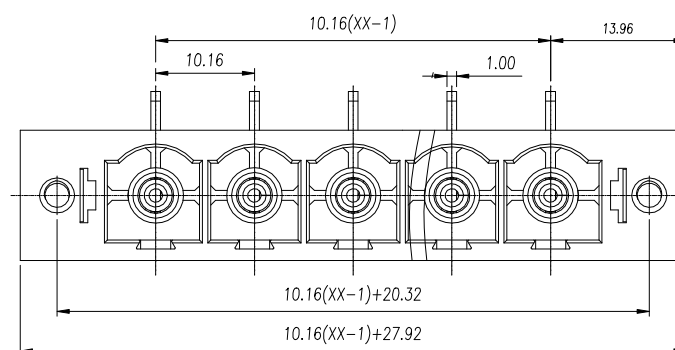
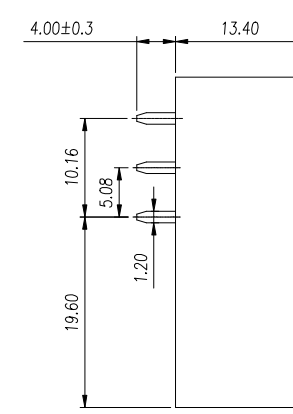
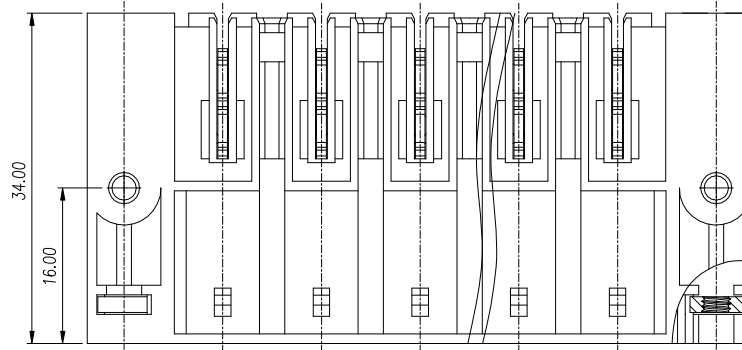
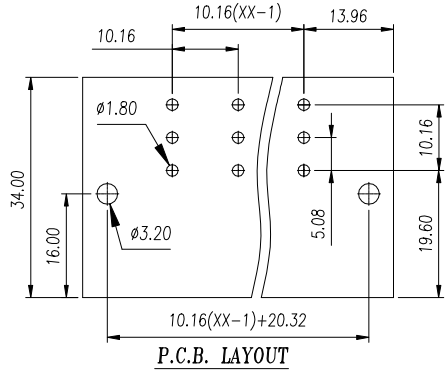


慈溪市万捷电子有限公司

CIXI WANJIE ELECTRONIC CO., LTD

REVISION RECORD

| REV. | DESCRIPTION | ECN No. | APPROVED | DATE |
|------|-------------|---------|----------|------|
| | | | | |
| | | | | |
| | | | | |



| UL/CUL 技术参数 | | UL/CUL Technical Data | | | cRU [®] us |
|-------------|-----------------------------------|-----------------------|------|------|---------------------|
| 等级 | Use Group | B | C | D | |
| 额定电压 | Rated Voltage [V] | 300 | 300 | 300 | |
| 额定电流 | Rated Current [A] | 55 | 55 | 10 | |
| 接线范围 | Wire Range | | | | |
| 单/多芯线 | Solid/Stranded [AWG] | | | | |
| 耐电压 | Withstanding Voltage | 1600V/1Min | | | |
| IEC 技术参数 | | IEC61984 | | | |
| 过电压类别 | Overvoltage Category | III | III | II | |
| 污染等级 | Contamination Class | 3 | 2 | 2 | |
| 额定电压 | Rated Voltage [V] | 1000 | 1000 | 1000 | |
| 额定电流 | Rated Current [A] | 76 | 76 | 76 | |
| 额定冲击电压 | Impulse withstand voltage [KV] | 8.0 | 8.0 | 6.0 | |
| 导线截面积 | Conductor cross section | | | | |
| 硬质/柔性导线 | Solid/flexible [mm ²] | | | | |
| 材料 | | Material | | | |
| 绝缘材料 | Insulation Material | PA66 | | | |
| 阻燃等级 | Imflammability | UL94V-0 | | | |
| 导体材料 | Contacting Material | 铜合金 Copper alloy | | | |
| 导体表面镀层 | Contactive Coating | 镀锡 Sn Plated | | | |
| 一般参数 | | Other Data | | | |
| 间距 | Pitch /极数 Poles [mm] / [P] | 10.16 / 02-16 | | | |
| 剥线长度 | Stripping Length [mm] | - | | | |
| 螺丝 | Screw/扭矩 Torque(Max) [N.m] | - | | | |
| 工作温度 | Operating temperature [°C] | -40~105 | | | |
| 焊锡温度 | Soldering temperature | 260°C/5S | | | |
| 引针尺寸 | Pin Dimensions [mm] | 1.0*1.2 | | | |
| PCB板孔径 | PCB Hole Diameter [mm] | Ø1.8 | | | |

linear dimension(Tolerances Standard GB/T 14486-2008)



| variable range | to 6 | over 6 to 10 | over 10 to 30 | over 30 to 60 | over 60 to 100 | over 100 to 160 | over 160 to | to 10 | over 10 to 100 | over 100 to |
|----------------|-------|--------------|---------------|---------------|----------------|-----------------|-------------|-------|----------------|-------------|
| tolerance | ±0.20 | ±0.30 | ±0.50 | ±0.70 | ±1.00 | ±1.30 | ±1.60 | 0.10 | 0.30 | 0.60 |

| | | | | | | | | |
|--|----|-----------|----|------------|-------|--|----------|----|
| 单位 / UNITS | mm | 尺寸 / SIZE | A4 | 比例 / SCALE | 1:3.1 | 第三视角 / THIRD ANGLE PROJECTION | 版本 / REV | V0 |
| | | | | | | | | |
| 慈溪市万捷电子有限公司 CIXI WANJIE ELECTRONIC CO., LTD | | | | | | 名称 / TITLE WJ3EDGRM-10.16-XXP-1YY-00A | | |